

DL2/LC1 DESKLINE with CBD6S

User manual

Contents

Preface	3
Valid for	4
Important information	5
Safety instructions	5
General	5
Before installation, reinstallation or troubleshooting	6
Before start-up	6
During operation.....	6
Misc.	6
Only for EU markets	7
Only for Non EU markets.....	7
Misuse.....	7
Repairs	8
Manufacturer's declaration	8
Declaration of conformity	9
Misc. on the DESKLINE® system	10
Warranty.....	10
Maintenance.....	10
ETL-markering	11
Description of the DESKLINE® system	12
Mounting guidelines for DL2 / LC1 DESKLINE	13
Bending moment	14
Installation of LC1 DESKLINE	15
Mounting screws	15
Cable lock	16
Mounting bracket	17
Installation of CBD6S (SMPS)	18
Electric connection of the DL2 with control box	19
Initialising DL2 systems	20
Disposal of LINAK's products	21
Labels	22
Drawing appendix	23
Addresses	30

Preface

Dear User,

We are delighted that you have chosen a product from LINAK®.

LINAK systems are high-tech products based on many years of experience in the manufacture and development of actuators, electric control boxes, controls and chargers.

This User Manual does not address the end-user. It is intended as a source of information for the manufacturer of the equipment or system only, and it will tell you how to install, use and maintain your LINAK electronics. It is the responsibility of the manufacturer of the end-use product to provide a User Manual where relevant safety information from this manual is passed on to the end-user.

We are sure that your LINAK product will give you many years of problem-free operation.

Before our products leave the factory they undergo full function and quality testing. Should you nevertheless experience problems with your systems, you are always welcome to contact your local dealer.

LINAK subsidiaries and some distributors situated all over the world have authorised service centres, which are always ready to help you.

LINAK provides a limited warranty on its products. This warranty is, however, subject to correct use in accordance with the specifications, maintenance being done correctly, and any repairs being carried out at a service centre, which is authorised to repair LINAK products. Changes in installation and use of LINAK products/systems can affect their operation and durability. The products are not to be opened by unauthorised personnel. You can review the full terms of the LINAK warranty on the LINAK website www.linak.com/warranty.

The User Manual has been written based on our present technical knowledge. We are constantly working on updating the information and we therefore reserve the right to carry out technical modifications.

LINAK A/S

Valid for:

This User Manual is valid for the following products:

(See the first 3 - 5 characters on the label)

Lifting columns: DL2 and LC1 DESKLINE

Control boxes: CBD6S 200 W, CBD6S 300 W

Controls: DPF1M/DPG1M/DPG1B (if memory function is required)
DP1CS/DPT/DPF1C/DPG1C (if memory function and display is required) or
DPA/DPB/DPH/DP1K/DPF1K/DPG1K (if only up/down is required) or DPF1D (if display is required).

Important information

Important information on LINAK® products can be found under the following headings:



Warning!

Failure to comply with these instructions may result in accidents involving serious personal injury.



Failing to follow these instructions can result in the product being damaged or being destroyed.

Safety instruction



General

Safe use of the system is possible only when the operating instructions are read completely and the instructions contained are strictly observed.

Failure to comply with instructions marked with the "NOTE" symbol may result in serious damage to the system or one of its components.



It is important for everyone who is to connect, install, or use the systems to have the necessary information and access to this User Manual. Follow the instructions for mounting – risk of injury if these instructions are not followed.



The appliance is not intended for use by young children or infirm persons without supervision.



If there is visible damage on the product it must not be installed.



Note that during construction of applications, in which the actuator is to be fitted, there must be no possibility of personal injury, for example the squeezing of fingers or arms.



Assure free space for movement of application in both directions to avoid blockade.

Before installation, re-installation, or troubleshooting

- Stop the DL2 / LC1 DESKLINE
- Switch off the power supply and pull out the mains plug.
- Relieve the DL2 / LC1 DESKLINE of any loads, which may be released during the work.

Before start-up:

- Make sure that the system has been installed as instructed in this User Manual.
- Make sure that the voltage of the control box is correct before the system is connected to the mains.
- System connection. The individual parts must be connected before the control box is connected to the mains. See the User Manual for LINAK actuators, if necessary.

During operation:

- If the control box makes unusual noises or smells, switch off the mains voltage immediately.
- Take care that the cables are not damaged.
- Unplug the mains cable on mobile equipment before it is moved.
- The products must only be used in an environment, that corresponds to their IP protection.

Misc.

The actuator system has a sound level below 55 dB(A) in typical applications.

Updated manuals and declarations can always be found here:

User manuals

Declarations

Only for EU markets



This appliance can be used by children aged from 8 years and above and persons with reduced physical, sensory or mental capabilities or lack of experience and knowledge if they have given supervision or instruction concerning use of the appliance in a safe way and understand the hazards involved.



Children shall not play with the appliance. Cleaning and user maintenance shall not be made by children without supervision.

Only for Non EU markets



Persons who do not have the necessary experience or knowledge of the product/products must not use the product/products. Besides, persons with reduced physical, sensory or mental abilities must not use the product/products, unless they are under surveillance or they have been thoroughly instructed in the use of the apparatus by a person who is responsible for the safety of these persons.



Moreover, children must be under surveillance to ensure that they do not play with the product.



It is the operator's responsibility to ensure that there is free space for the application to move without risk for the operator or bystanders before operating the application.

Misuse



Do not overload the actuators – this can cause danger of personal injury and damage to the system.



Do not use the actuator system for lifting persons. Do not sit or stand on a table while operating – risk of personal injury.



Do not use the system in environments other than the intended indoor use

Repairs

In order to avoid the risk of malfunction, all DESKLINE® repairs must only be carried out by authorised LINAK service centres or repairers, as special tools must be used and special gaskets must be fitted. Products under warranty must also be returned to authorised LINAK service centres.

Further information on DESKLINE warranty can be found on the LINAK website www.linak.com/warranty.



Warning!

If any of the DESKLINE® products are opened, there will be a risk of subsequent malfunction.



Warning!

The DESKLINE® systems do not withstand cutting oil.

Manufacturer's declaration

DECLARATION OF INCORPORATION OF PARTLY COMPLETED MACHINERY

LINAK A/S
Smedevænget 8
DK - 6430 Nordborg

Herewith declares that LINAK DESKLINE® products as characterized by the following models and types:

Control Boxes: CBD6Sa00b0A-c09 (Where -a: can be P, C or H, -b: can be 2, 3 or 4 and -c: can be 0 or 7)

Linear Actuators: LA31

Built in actuator(s): DB5, DB6, DB14,

Lifting Columns: DL1A, DL4S, DL2, DL5, DL6, DL7, DL8, DL9, DL10, DL11, DL12, DL14, DL15, DL16, DL17, DL18, DL19, DL20, DL21

Desk Panels: DPA, DPB, DPH, DPF1K, DPF1M, DPF2K, DPF3K, DPF1C, DPF1D, DPF1U, DPF1W, DPF4T, DPG1K, DPG1M, DPG1B, DPG1C, DPT, DP1V01, DP1CS, DP1K, DP1U, DP2K, DP3K, DPN, DPWA

Accessories: BLE2LIN002, BLE2LIN003, DESK SENSOR 1, USB2LIN, DCConnector

complies with the following parts of the Machinery Directive 2006/42/EC, ANNEX I, *Essential health and safety requirements relating to the design and construction of machinery*:

- 1.1.2 a) Special use*
- 1.1.2 b) Selection of the most appropriate methods*
- 1.1.2 c) Foreseeable misuse*
- 1.1.2 d) Operator constrains due to the use of personal protective equipment*
- 1.1.3 Materials and products*
- 1.2.1 Safety and reliability of control systems
- 1.2.2 Control devices. Shape, readability, overview*
- 1.2.3 Starting*
- 1.2.4 Stopping*
- 1.5.1 Electricity supply
- 1.5.10 Radiation. EMC. Emission of electromagnetic radiation, X-rays, γ -rays*
- 1.5.11 External radiation*

*need to be further evaluated in the end product

We confirm that prior to market introduction the relevant technical documentation is compiled in accordance with part B of Annex VII and the assembly instruction pursuant to Annex VI.

This documentation or part hereof will be transmitted by post or electronically to a reasoned request by the national authorities.

The products mentioned in this document are to be combined for use in height adjustable furniture.

This partly completed machinery must not be put into service until the final machinery into which it is to be incorporated has been declared in conformity with the provisions of the Machinery Directive 2006/42/EC where appropriate.

Nordborg, 2020-10-28

LINAK A/S
Dragan Macura
Regulatory Compliance Manager
Deskline and Homeline Segments
Authorized to compile the relevant technical documentation

Original Declaration

Declaration of Conformity

EC DECLARATION OF CONFORMITY

LINAK A/S
Smedevænget 8
DK - 6430 Nordborg

hereby declares under our sole responsibility that LINAK Actuator System for DESKLINE composed of:

Control Box(s)	CBD6Sa000b0A-c09, (Where -a: can be P, C or H, -b: can be 2, 3 or 4 and -c: can be 0 or 7)
Linear Actuator(s)	LA31: 31abCH-defff50S, (Where -a: can be 1, 3, 6 or 7; - b can be from 1 to 8, or A or B; - c can be from 0 to 4; - d can be 0 or 1; - e can be 0 or 1; - fff can be max 500)
Built in actuator(s)	DB5, DB6, DB14: DBabbcdefghhhiii, (Where: - a: can be 5, 6 or 14.; - b: can be 0, 1, 3 or 9; - c: can be 0, 1, B, L or S; - d: can be 0, 1 or 2; - e: can be 0, A, B or X; - f: can be 0, or A; - g: can be from 0, M, S or E; - hhh: can be from 000 to 675; - iii: can be from 000 to 630);
Lifting Column(s)	Standard columns: DLabcdefghhhiii, (Where: - a: can be 1A, 4S, 5, 6, from 8 to 12, from 14 to 21; - b: can be 0, 2, 3 or 5; - c: can be 0, A, B, D, W or x; - d: can be 0, 1, L, R or X; - e: can be A, B, D or X; - f: can be 0, N, M, P or x; - g: can be 0 or E; - hhh: can be from 600 to 1100; - iii: can be from 000 to 785); DL12: DL12abcdeffggghh (where - a can be A or B; - b can be 0 or E; -c can be 0, L, R or X; - d can be A, B, D or X; - e can be 0 or M; - f can be 0 or E; - ggg can be max 1100; - hhh can be max 785) DL7: DL73a0b00470645 (where - a can be 0 or R; - b can be A, B, C or D) DL2: DL2abCdefffggg (where - a can be 3, 6 or 7; - b can be from 0 to 3; - c can be A or B; - d can be 0, F or G; -e can be from 0 to 7; -fff can be from 300 to 500; -ggg can be from 445 to 655) BASELIFT: BASE1000A0F100100
Desk Panel(s)	DPA, DPB, DPH, DPF1K, DPF1M, DPF2K, DPF3K, DPF1C, DPF1D, DPF1U, DPF1W, DPF4T, DPG1K, DPG1M, DPG1B, DPG1C, DPT, DP1V01, DP1CS, DP1K, DP1U, DP2K, DP3K, DPN, DPWA
Accessories	BLE2LIN002, BLE2LIN003, DESK SENSOR 1, USB2LIN, DCconnector, CHUSB

Complies with EMC Directive: **2014/30/EU** according to following standards:
EN 61000-6-2:2005/AC:2005
EN 61000-6-3:2007/A1:2011/AC:2012

Complies with Low Voltage Directive **2014/35/EU** according to the standard:
EN 60335-1:2012+AC:2014+A11:2014+A13:2017+A1:2019 +A14:2019 +A2:2019
EN 62233:2008 + AC:2008

Complies with RoHS2 Directive **2011/65/EU** and RoHS3 Directive **2015/863** (amending Annex II to Directive 2011/65/EU) according to the standard:
EN 50581:2012

And the applicable Desk Panels and Accessories complies with the Radio Equipment Directive **2014/53/EU** according to the standards listed in the RED DoC for the individual radio products.

Additional information:
The system does also comply with the standard: EN 61000-6-2:2019 and EN 13849-1:2015 SRP/CS Cat. B, PL = b and SRESW PL = b
Note 1: Exempted CBD6S with SW03003007 printed on the label.

Nordborg, 2021-11-24

LINAK A/S
Dragan Macura
Regulatory Compliance Manager
Deskligne and Homeline Segments
Authorized to compile the relevant technical documentation

Original Declaration

RoHS compliance

If required, the RoHS mark must be obtained by the manufacturer of the end products. LINAK A/S can supply the required material information on our products.

For more information, visit: <https://www.linak.com/about/declarations/>

or contact: chemicalcompliance@linak.com

Misc. on the DESKLINE® system

Warranty

This DESKLINE product is subject to warranty pursuant to the terms of LINAK DESKLINE Warranty Paper, available on the LINAK website www.linak.com/warranty.

Maintenance

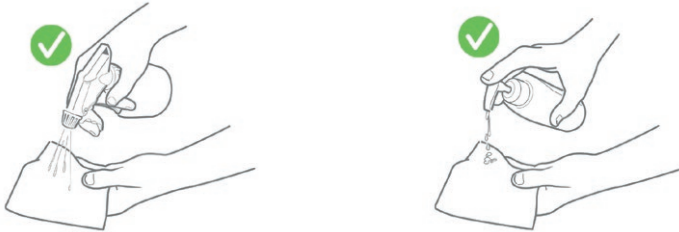
Clean dust and dirt on the outside of the system at appropriate intervals and inspect them for damage and breaks. Inspect the connections, cables, and plugs and check for correct functioning as well as fixing points.

Cleaning the desk panel

Clean your desk panel with a soft damp cloth. Universal cleaning detergents may be used.



For disinfection of the desk panel, use a 70 percent isopropyl alcohol either as a wipe or add a small amount to a soft cloth.



The desk panel is not a sealed unit and there are electronics inside it.

If liquids or moisture enter an opening, the PCB may be damaged, and the desk panel ruined.

Thus:

- Avoid moisture penetrating any openings as this may damage the PCB inside the desk panel
- Avoid spraying the cleaning agent or disinfectant directly on the desk panel as moisture may penetrate openings damaging the PCB inside the desk panel



- Cleaning agents and disinfectants must not be highly alkaline or acidic (pH value must be 6 to 8), and they must not contain bleach or chlorine
- Do not use hand sanitizer gel as a cleaning agent

Service of double-insulated products:



Class II

A Class II or **double insulated** electrical appliance is one which has been designed in such a way that it does not require a safety connection to electrical earth (US: ground).

The basic requirement is that no single failure can result in dangerous voltage becoming exposed so that it might cause an electric shock and that this is achieved without relying on an earthed metal casing. This is usually achieved at least in part by having two layers of insulating material surrounding live parts or by using reinforced insulation.

There is no earthing/grounding means provided on the product, and no earthing/grounding means is to be added to the product.

In Europe, a double insulated appliance must be labelled "Class II", "double insulated" or bear the double insulation symbol (a square inside another square).

Servicing a double-insulated product requires extreme care and knowledge of the system, and is to be done only by qualified service personnel. Replacement parts for a double-insulated product must be identical to the parts they replace.

ETL-marking

Due to space limitations, the complete ETL-marking demands are not represented on the marking plates.

The full ETL Recognized Component markings are shown here.



C/N 120690

Conforms to UL962
Cert. to CSA Std. C22.2 No. 68-09

ETL Recognized Component mark for Canada and United States



C/N 9901916

Conforms to UL962
Cert. to CSA Std. C22.2 No. 68-09

ETL Recognized Component mark for Canada and United States



C/N 4008003

Conforms to UL962
Cert. to CSA Std. C22.2 No. 68-09

ETL Recognized Component mark for Canada and United States



C/N 4008004

Conforms to UL962
Cert. to CSA Std. C22.2 No. 68-09

ETL Recognized Component mark for Canada and United States



C/N 4008005

Conforms to UL962
Cert. to CSA Std. C22.2 No. 68-09

ETL Recognized Component mark for Canada and United States



C/N 4008671

Conforms to UL962
Cert. to CSA Std. C22.2 No. 68-09

ETL Recognized Component mark for Canada and United States



C/N 4009507

Conforms to UL962
Cert. to CSA Std. C22.2 No. 68-09

ETL Recognized Component mark for Canada and United States

Description of the DESKLINE® system

Each DESKLINE® actuator/column is equipped with a motor and parallel/memory drive is ensured by means of software in the CBD6S that also takes account of an uneven load on the desk. Soft start and stop are also part of this software, which ensures a soft start and stop when adjusting the desk.

Application of the DESKLINE® system:

Irrespective of the load the **duty cycle max. 5 %, ≈ max. 1 minute continuous use followed by 19 minutes pause** stated in the data sheets, must **NOT** be exceeded as this will result in an overheating of the motor and control box. Exceeding the duty cycle will result in a dramatic reduction of the life of the system.

The system range contains the following products:

- 1 control box CBD6S 200 W or CBD6S 300 W (SMPS - Switch Mode Power Supply)
- 1, 2, 3 or 4 DL2 / LC1 DESKLINE lifting columns
- 1 exchangeable mains cable
- motor cables (1 - 4 (4))
- DP1U/DPF1M/DPG1M/DPG1B (if memory function is required)
DP1C/DPT/DPF1C/DPG1C (if memory function and display is required) or
DPA/DPB/DPH/DP1K/DP1V/DPF1K/DPG1K (if only up/down is required) or DPF1D (if display is required).

Mounting guidelines for DL2 / LC1 DESKLINE

The DL2 column is supplied with either 8 mm end plates or 3 mm end plates.

8 mm end plates:

For mounting on the desk frame there are 4 holes for M10 bolts. It is recommended to use all 4 bolts.

3 mm end plates:

For mounting on the desk frame there are 4 holes in the column for DG 80x35 screws. It is recommended to use all 4 screws.

As the table top amplifies the sound we advise you to place a vibration/shock-absorbing material between the table top and the table frame.

The outer profile of the DL2 / LC1 DESKLINE column has tracks, which can be used for mounting a bracket. The mounting bracket can be used for e.g.:

- Mounting a customised cover (for encapsulation of the DL2 / LC1 DESKLINE).
- Mounting of a computer

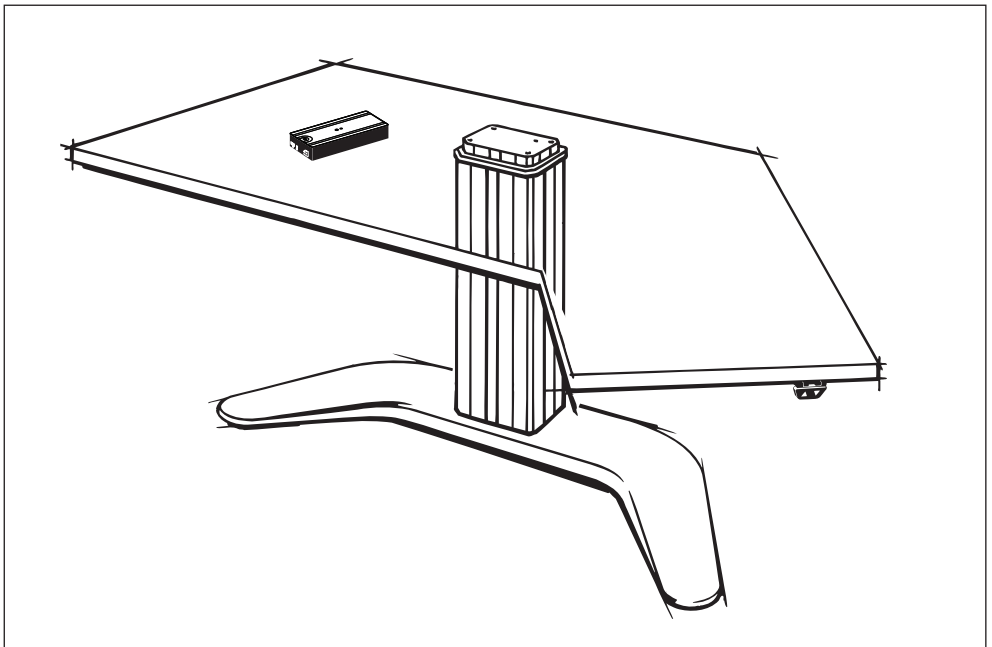


Figure 1
Example of how to mount a DL2 / LC1 DESKLINE system

Bending moment

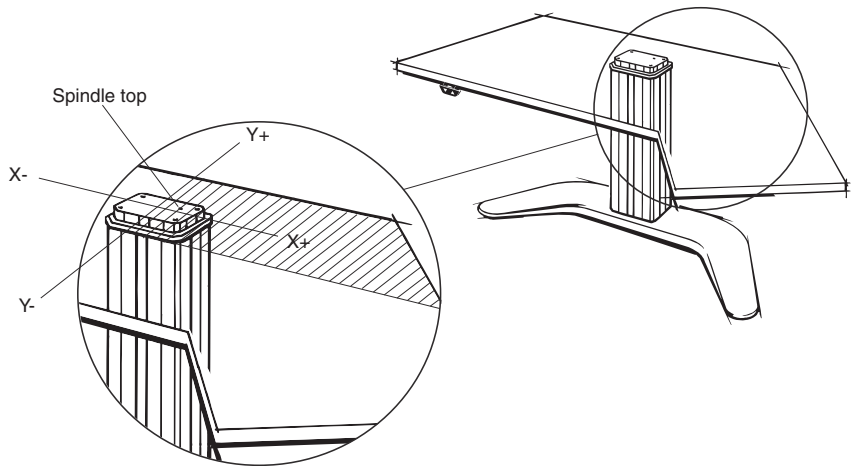


Figure 2

To limit the influence from the bending moment it is recommended to place the heaviest load in the shaded area (see figure 2) in which the spindle is placed. The spindle part is placed in the same side as the cable outlet. See the DL2 or LC1 DESKLINE data sheet for further information regarding bending moment.



LINAK recommends that the DESKLINE® system should be used in push applications.

Installation of LC1 DESKLINE



WARNING

Heavy column

Risk of personal injury

- Be careful when handling the column - do not drop it.

Mount the LC1 DESKLINE with the largest profile downwards.

It is very simple to mount the LC1 DESKLINE in the application using the 4 self-tapping screws in the mounting holes of both end plates.



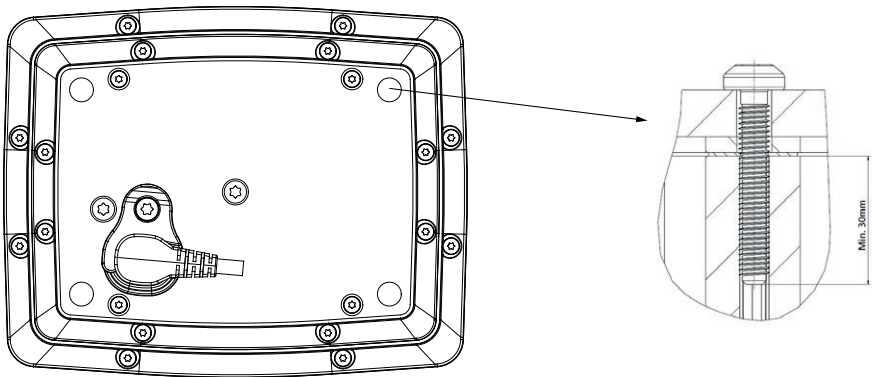
LINAK recommends using the LC1 DESKLINE system in push applications mounted with the largest profile downwards.

Mounting screws

For the safety factor and off-centre load specifications to be valid, the correct mounting screws must be used.

The thread engagement length must be minimum 30 mm (into the aluminium profile).

Screw torque is 20 Nm \pm 10%.



Cable lock



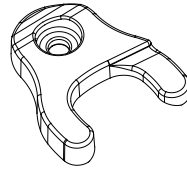
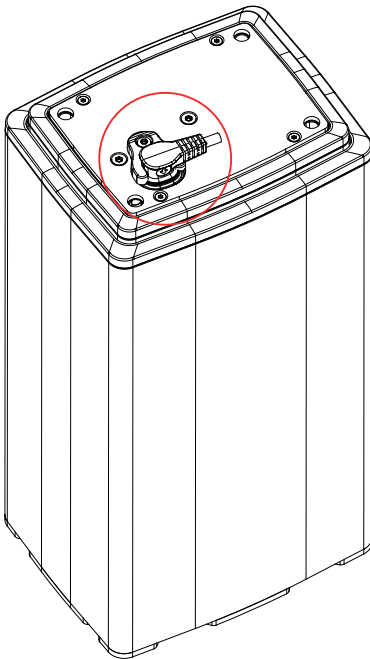
WARNING

Stressed/damaged cables

Risk of electric shock

- Fix the (adapter/motor) cable with a cable lock.
- Ensure that the cable cannot be squeezed, pulled or subjected to any other stress or damage.

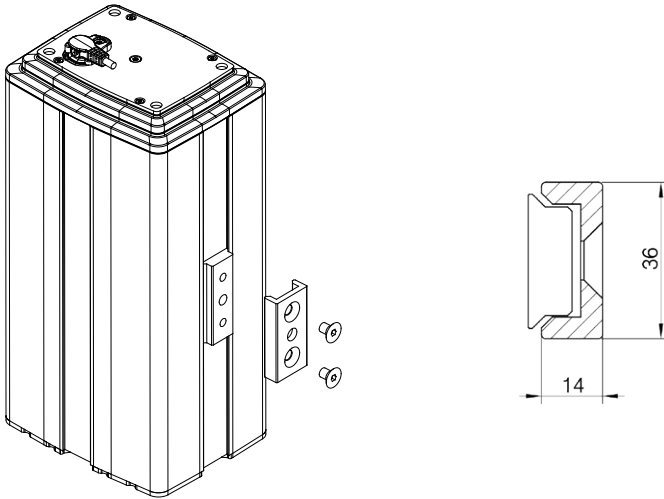
For proper cable mounting, use cable lock and self-tapping screw.



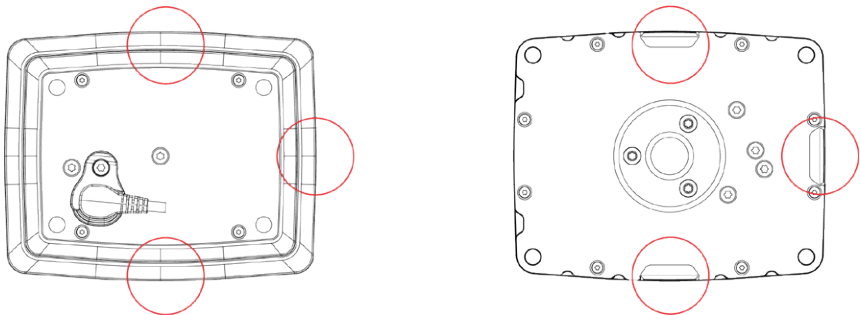
Mounting bracket

The mounting bracket can for instance be used for placement of a crossbar, a customised cover for encapsulation, a control box, or a computer.

Mounting bracket order number: 0578006



Mounting brackets can only be placed on three sides:



Insert the bracket(s) before mounting the bottom end plate. Otherwise, the bracket(s) cannot be mounted on the column.

Mounting guideline for more LC1 DESKLINE columns in an application

When mounting more than one LC1 DESKLINE in an application, fixate all columns to the worktop. If the application needs to be fixated to a firm foundation/base, only fixate one column to the foundation/base to prevent the columns from bending if they do not move exactly in parallel.

Installation of CBD6S (SMPS)



Do not pack the CBD6S in heat insulating material.
Place the CBD6S so it can emit heat through its surface to the surroundings.

Mounting the CBD6S

1. Plug the mains cable into the CBD6S.
2. Place the mains cable in the groove for cable relief.



3. If needed, place the other cables in the grooves to optimise the desk design and manage the system cables.



4. Mount the CBD6S using two screws with a head diameter of 10 mm (8 to 10 mm can be used).
5. Fasten the mounting screws (max. torque 1 Nm).

Notes:

- If the control box is mounted in a top frame bar with the width of the motor housing, it can be mounted with one screw only
- The surface to which the control box is mounted should have an evenness better than ± 0.5 mm
- The control box can also be mounted using one or two M6 nuts and screw counterparts, see Dimensional drawings
- The mains plug must be accessible when the CBD6S is mounted so that the supply to the CBD6S can be disconnected if replacement is required.

For mounting and operation of the desk panel, please see the separate user manual for desk panels.

Electric connection



The control box must only be connected to the voltage stated on the label.



It is important to ensure that the motor cables are fixed, but not tightened, near the control box **and** near the columns.

Fix the cable to the tabletop using a clip observing the **30 mm minimum bending radius (R)**.



Connecting the system

1. Connect the first DL/DB to socket 1 next to port A2 on the control box using the 6-pin plug on the motor cable. Channel 1 is the channel closest to the control port.
2. Connect further DL/DB to sockets 2, 3 and 4 in sequence.
3. Connect the desk panel to control port A1 or control port A2.
4. Check that the voltage stated on the label corresponds to the mains power. If not, do **not** plug in mains cable.
5. Plug in the mains cable.
6. Switch on the power.

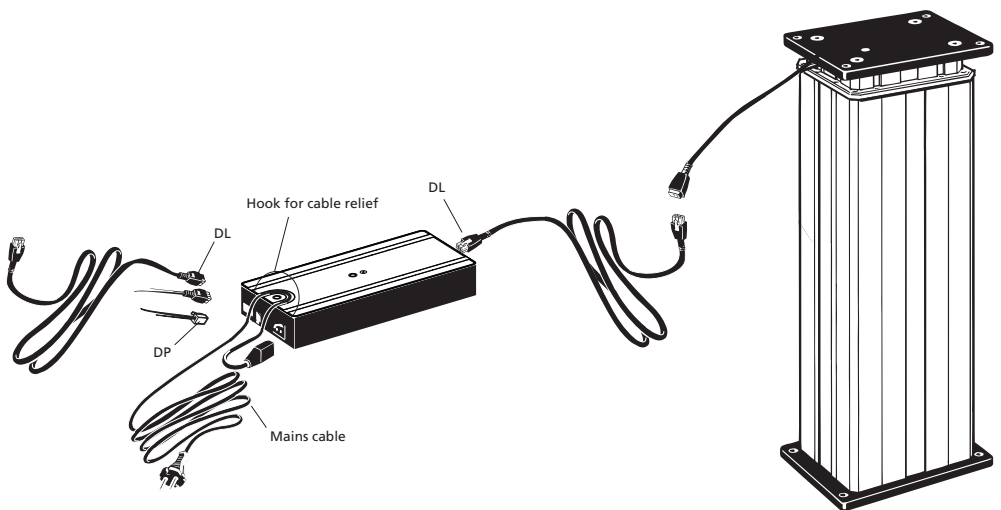


Figure 3

Initialising DESKLINE® systems

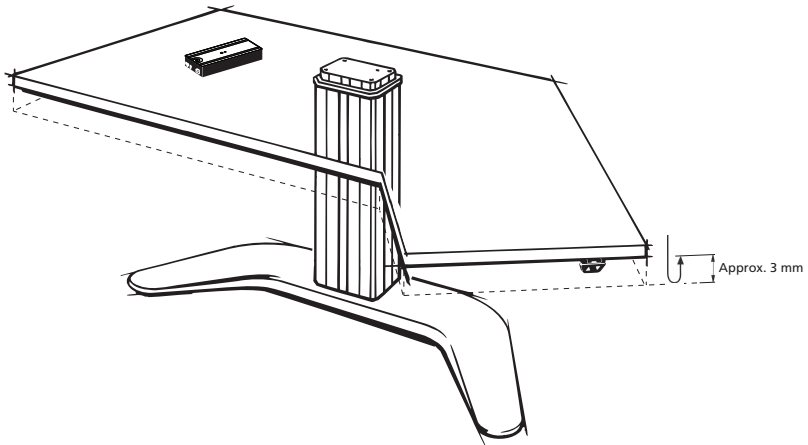
Downward direction

1. Press the desk panel to drive the desk down. Keep pressing the desk panel.
2. Release the desk panel when the movement stops.

The system is now initialised in downward direction.

Upward direction

The first two times the system moves into end stop in upward direction, the system runs approximately 3 mm back to initialise in upward direction.



Accessories

Ordering accessories

Order from your nearest LINAK® contact, distributor or subsidiary.



Warning!

By unauthorised opening of the system there is a risk that it may malfunction at a later date.

Spare parts

Please contact your nearest LINAK contact for information on spare parts.

Disposal of LINAK products

As LINAK customers often ask us how our products can be disposed of or scrapped we have prepared this guidance that enables a classification to different waste fractions for recycling or combustion.

Guidance

We recommend that our products be disassembled as much as possible and divided into different waste groups for recycling or combustion.

For example, waste can be sorted into metals, plastics, cable scrap, combustible material, and recoverable resources.

Some of these main groups can be further divided into subgroups; e.g. metal can be divided into steel/aluminium/copper and plastic can be divided into ABS/PA/PE/PP.

As an example, the table below breaks down the different components in LINAK products to various recycling groups:

Product	Components	Recycling group
Columns/ Actuator :	Spindle and motor Plastic housing Cable PCB boards	Scrap Plastic recycling or combustion Cable scrap or combustion Electronics scrap
Control Box :	PCB boards Plastic housing Cable Transformer	Electronics scrap Plastic recycling or combustion Cable scrap or combustion Metal scrap
Handset/Control :	Plastic housing Cable PCB board	Plastic recycling or combustion Cable scrap or combustion Electronics scrap

By now almost all our cast plastic parts are supplied with an interior code for plastic type and fibre contents, if any.

Main groups of disposal

Product main groups	Metal scrap	Cable scrap	Electronics scrap	Plastic recycling or combustion	Comments
DL2	X	X	X	X	
LC1 DESKLINE	X	X	X	X	
CBD6S (SMPS)	X	X	X	X	
DPXX		X	X	X	

Disposal of batteries

Details regarding safe disposal of used and leaking batteries:

Batteries should be disposed in accordance with appropriate federal, state and local regulations. LINAK recommends that used or leaking batteries are disposed through local recycling system. Please do not throw used or leaking batteries in normal household waste or in nature. This will cause damage to the environment.

How to deal with leaking batteries.

Leaking batteries should be disposed as described above.

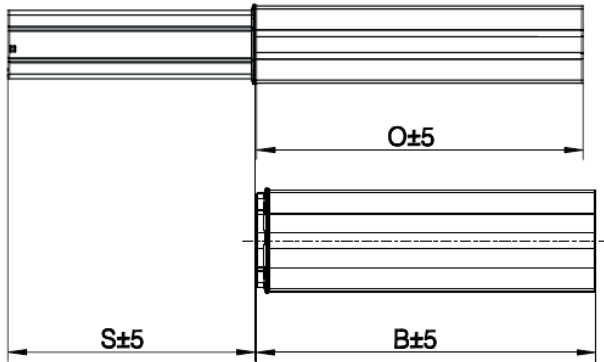
If leaking batteries are discovered in the product the batteries must be removed at once to minimise damage to the product. If leaking batteries are left in the product it might become defect.

It is recommended to use plastic gloves when handling leaking batteries. The contents of a leaking batteries can cause chemical burns and respiratory irritation.

If exposed to the contents of a leaking battery, please wash with soap and water. If irritation persists, please seek medical attention. In case of eye contact, please flush eyes thoroughly with water for 15 minutes and seek medical attention.

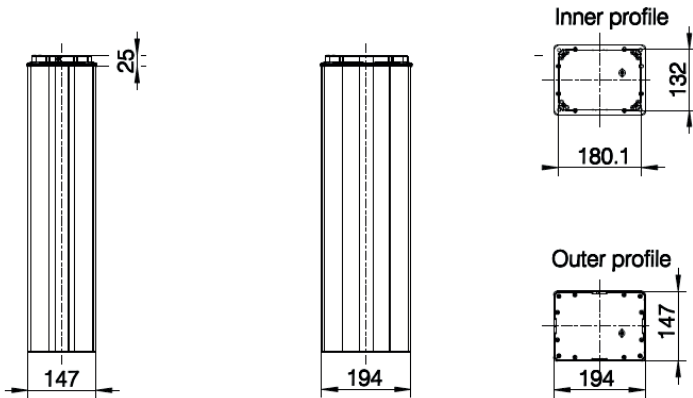
DRAWING APPENDIX

DL2 Lifting Column



Combination code	S (Stroke length) [mm]	B (Built-in length) [mm]	O (Outer profile length) [mm]
DL2xxxxx300xxx	300	445 / 450 / 455	420
DL2xxxxx350xxx	350	495 / 500 / 505	470
DL2xxxxx500xxx	500	645 / 650 / 655	620

DL2 built-in length, stroke length, and outer profile length (mm)



DL2 profile dimensions (mm)

End plates

LINAK A/S supplies the lifting column with either 8 mm or 3 mm end plates. The DL2 can be prepared for built-in CBD6S.

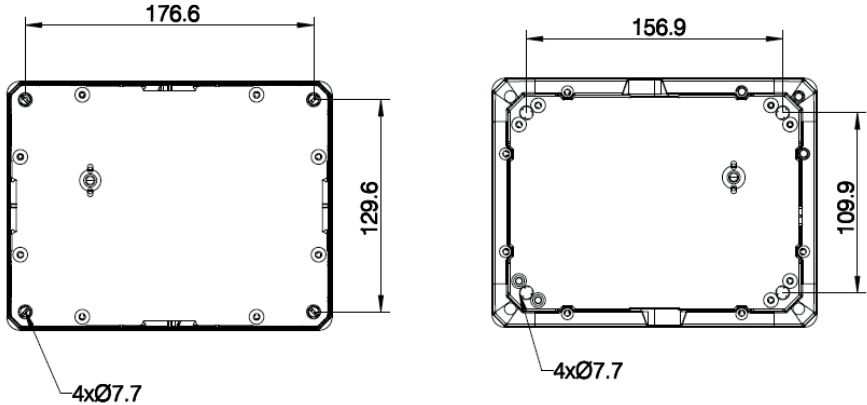
Installation dimensions:

Column without end plates + 2 x the thickness of the required end plates.

Example: 639 mm + (2 x 8 mm) = 655 mm.



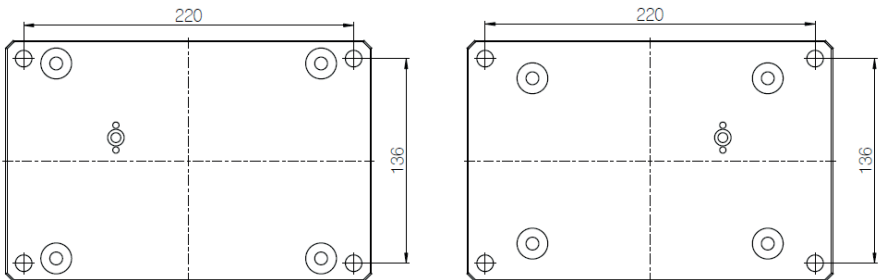
All measurements are without powder coating.



3 mm bottom plate (left) and top plate (right) dimensions (mm)



The maximum torque for tightening the DG 80x35 screws included for DL2 columns with 3 mm end plates is 15 Nm.

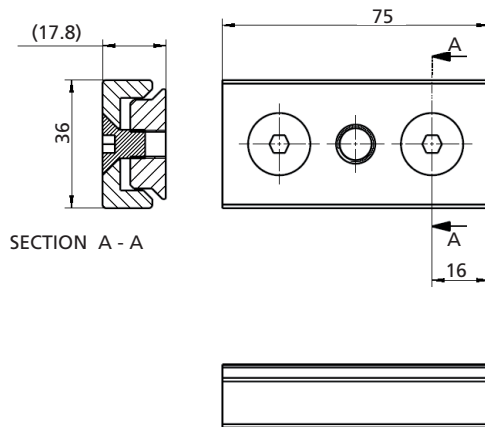


8 mm bottom plate (left) and top plate (right) dimensions (mm)

Mounting bracket

The mounting bracket can for example be used for placement of a crossbar, a customised cover for encapsulation, a control box, or a computer.

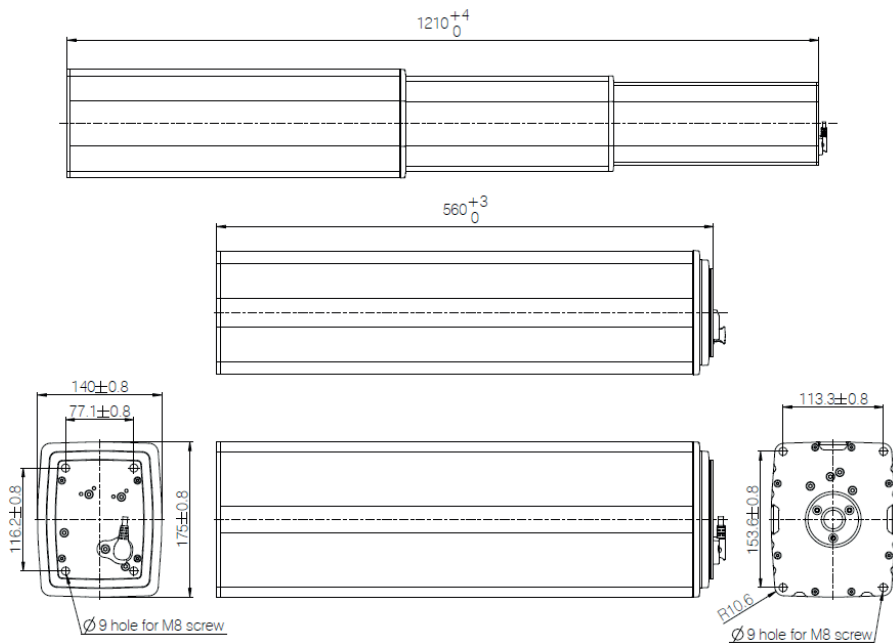
The mounting bracket order code is: **0578006**



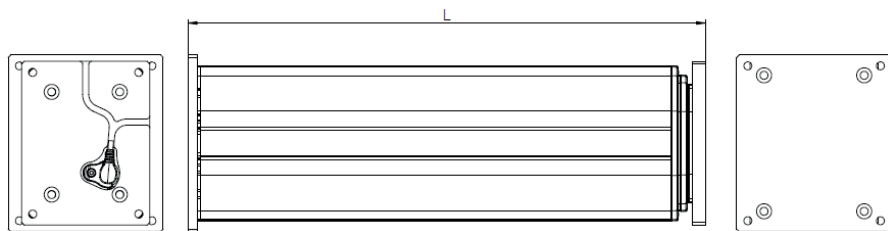
Drawing no.: 0578006

Mounting bracket dimensions (mm)

LC1 DESKLINE



LC1 DESKLINE without end plates dimensions (mm)

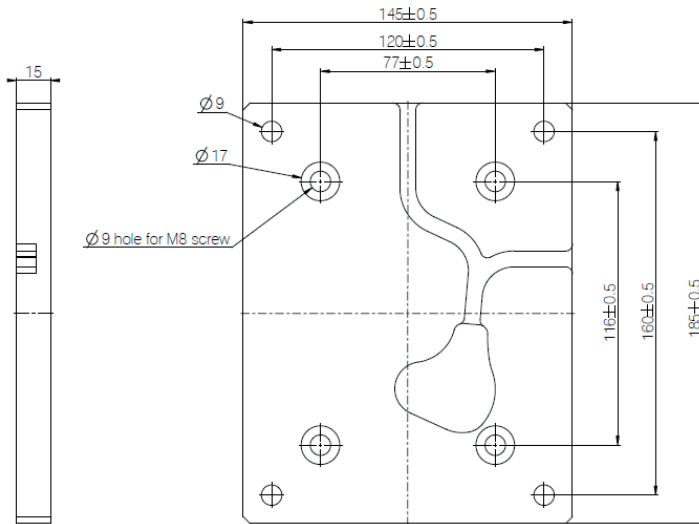


Version	L [mm]
EU	584
BIFMA	542

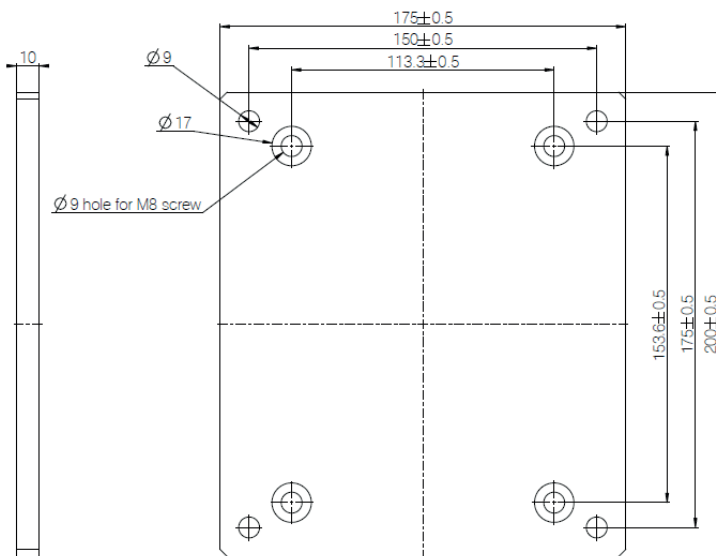
LC1 DESKLINE dimensions with 14 mm top end plate and 10 mm bottom end plate (mm)



All measurements are without powder coating



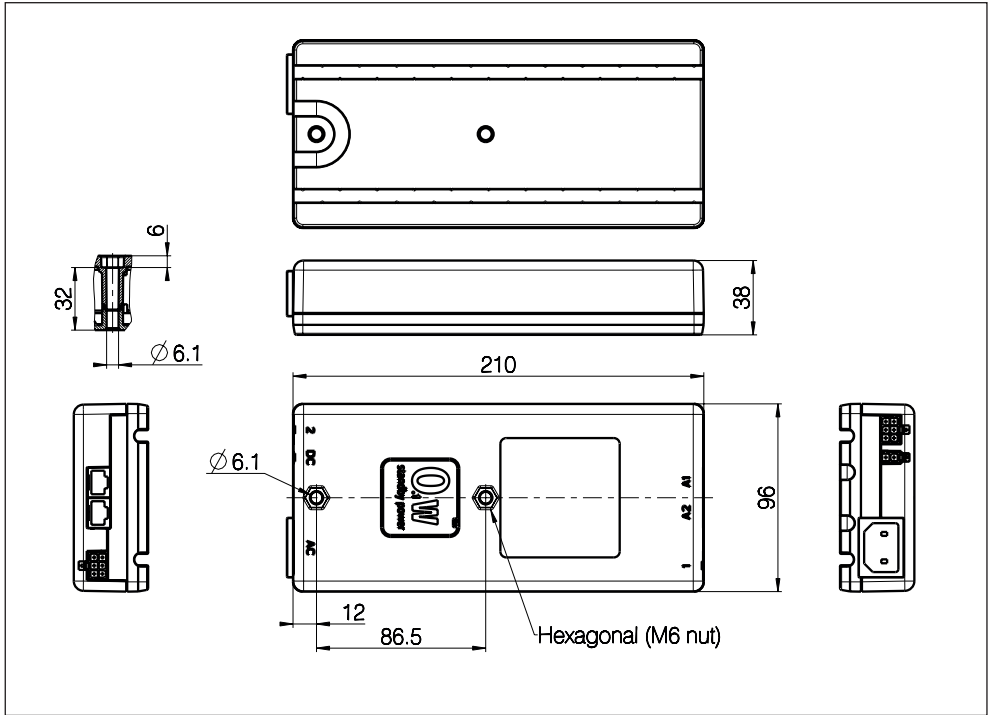
Top end plate dimensions (mm)



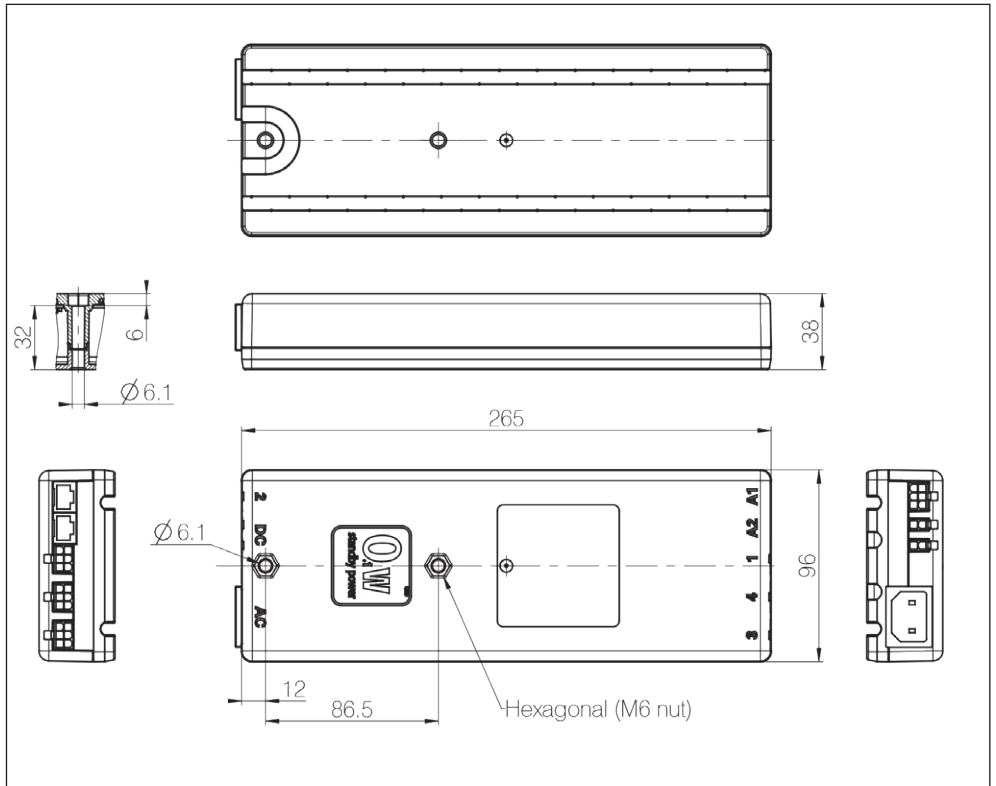
Bottom end plate dimensions (mm)



A customised top end plate must cover the entire top plate of LC1 DESKLINE and be strong enough to carry the load.



CBD6S 300 W (SMPS) up to 4 channels



LINAK APPLICATION POLICY

The purpose of the application policy is to define areas of responsibilities in relation to applying a LINAK product defined as hardware, software, technical advice, etc. related to an existing or a new customer application.

LINAK products, as defined above, are applicable for a wide range of applications within the Medical, Furniture, Desk and Industry areas. Yet, LINAK cannot know all the conditions under which LINAK products will be installed, used, and operated, as each individual application is unique.

The suitability and functionality of the LINAK product and its performance under varying conditions (application, vibration, load, humidity, temperature, frequency, etc.) can only be verified by testing, and shall ultimately be the responsibility of the LINAK customer using any LINAK product.

LINAK shall be responsible solely that LINAK products comply with the specifications set out by LINAK and it shall be the responsibility of the LINAK customer to ensure that the specific LINAK product can be used for the application in question.

FACTORIES

• Denmark

LINAK A/S
Group Headquarters
Tel: +45 73 15 15 15
Fax: +45 74 45 80 48
Fax (Sales): +45 73 15 16 13
www.linak.com

• Denmark

LINAK Profiles
Tel: +45 73 70 95 30
www.linak-profiles.com

• China

LINAK (Shenzhen) Actuator Systems, Ltd.
Tel: +86 755 8610 6656
Fax: +86 755 8610 6990
www.linak.cn

• Slovakia

LINAK Slovakia s.r.o.
Tel: +421 51 7563 444
Fax: +421 517563 410
www.linak.sk

• Thailand

LINAK APAC Ltd.
Tel: +66 33 265 400
www.linak.com

• USA

LINAK U.S. Inc.
Americas Headquarters
Tel: +1 502 253 5595
Fax: +1 502 253 5596
www.linak-us.com

SUBSIDIARIES

• Australia

LINAK Australia Pty. Ltd
Tel: +61 3 8796 9777
Fax: +61 3 8796 9778
www.linak.com.au

• Austria

LINAK Repräsentanz
Österreich (Wien)
Tel: +43 (1) 890 7446
Fax: +43 (1) 890 744615
www.linak.at - www.linak.hu

• Belgium

LINAK Benelux
(Belgium & Luxembourg)
Tel: +32 (0)9 230 01 09
www.linak.be - www.fr.linak.be

• Brazil

LINAK Do Brasil Comércio De Atuadores Ltda.
Tel: +55 (11) 2832 7070
Fax: +55 (11) 2832 7060
www.linak.com.br

• Canada

LINAK Canada Inc.
Tel: +1 502 253 5595
Fax: +1 416 255 7720
www.linak-us.com

• China

LINAK (Shenzhen) Actuator Systems, Ltd.
Tel: +86 755 8610 6656
Fax: +86 755 8610 6990
www.linak.cn

• Czech Republic

LINAK C&S s.r.o.
Tel: +42 058 174 1814
Fax: +42 058 170 2452
www.linak.cz - www.linak.sk

• Denmark - Headquarters

LINAK A/S - Group Headquarters
Tel: +45 73 15 15 15
Fax: +45 74 45 80 48
Fax (Sales): +45 73 15 16 13
www.linak.com

• Denmark - International

LINAK International
Tel: +45 73 15 15 15
www.linak.com

• Denmark - Sales

LINAK DANMARK A/S
Tel: +45 86 80 36 11
Fax: +45 86 82 90 51
www.linak.dk

• Finland

LINAK OY
Tel: +358 10 841 8700
www.linak.fi

• France

LINAK FRANCE E.U.R.L
Tel: +33 (0) 2 41 36 34 34
Fax: +33 (0) 2 41 36 35 00
www.linak.fr

• Germany

LINAK GmbH
Tel: +49 6043 9655 0
Fax: +49 6043 9655 60
www.linak.de

• India

LINAK A/S India Liaison Office
Tel: +91 120 4531797
Fax: +91 120 4786428
www.linak.in

• Ireland

LINAK UK Limited (Ireland)
Tel: +44 (0)121 544 2211
Fax: +44 (0)121 544 2552
+44 (0)796 855 1606 (UK Mobile)
+35 387 634 6554 (Republic of Ireland Mobile)
www.linak.co.uk

• Italy

LINAK ITALIA S.r.l
Tel: +39 02 48 46 33 66
Fax: +39 02 48 46 82 52
www.linak.it

• Japan

LINAK K.K.
Tel: 81-45-533-0802
Fax: 81-45-533-0803
www.linak.jp

• Malaysia

LINAK Actuators Sdn. Bhd.
Tel: +60 4 210 6500
Fax: +60 4 226 8901
www.linak.my

• Netherlands

LINAK Benelux
Tel: +31 76 5 42 44 40
www.linak.nl

• New Zealand

LINAK New Zealand Ltd
Tel: +64 9580 2071
Fax: +64 9580 2072
www.linak.com.au

• Norway

LINAK Norge AS
Tel: +47 32 82 90 90
www.linak.no

• Poland

LINAK Polska
LINAK Danmark A/S (Spółka Akcyjna)
Tel: +48 22 295 09 70/22 295 09 71
www.linak.pl

• Republic of Korea

LINAK Korea Ltd.
Tel: +82 2 6231 1515
Fax: +82 2 6231 1516
www.linak.kr

• Russia

LINAK LLC
Tel: +7 495 780 3161
Fax: +7 495 687 1426
www.linak.ru

• Slovakia

LINAK Slovakia s.r.o.
Tel: +421 51 7563 444
www.linak.sk

• Spain

LINAK Actuadores, S.L.u
Tel: +34 93 588 27 77
Fax: +34 93 588 27 85
www.linak.es

• Sweden

LINAK Scandinavia AB
Tel: +46 8 732 20 00
Fax: +46 8 732 20 50
www.linak.se

• Switzerland

LINAK AG
Tel: +41 43 388 31 88
Fax: +41 43 388 31 87
www.linak.ch - www.fr.linak.ch
www.it.linak.ch

• Taiwan

LINAK (Shenzhen) Actuator systems Ltd.
Taiwan Representative office
Tel: +886 2 27290068
Fax: +886 2 27290096
www.linak.tw

• Thailand

LINAK APAC Ltd.
Tel: +66 33 265 400

• Turkey

LINAK İth. İhr. San. ve Tic. A.Ş.
Tel: +90 312 4726338
Fax: +90 312 4726635
www.linak.com.tr

• United Kingdom

LINAK UK Limited
Tel: +44 (0)121 544 2211
Fax: +44 (0)121 544 2552
www.linak.co.uk

• USA

LINAK U.S. Inc.
North and South American Headquarters
Tel: +1 502 253 5595
Fax: +1 502 253 5596
www.linak-us.com
www.linak-latinamerica.com

DISTRIBUTORS

• Argentina

NOVOTEC ARGENTINA SRL
Tel: 011-4303-8989/8900
Fax: 011-4032-0184
www.novotecargentina.com

• Colombia

MEM Ltda
Tel: +57 (1) 334-7666
Fax: +57 (1) 282-1684
www.mem.net.co

• India

Mechatronics Control Equipments India Pvt Ltd
Tel: +91-44-28558484, 85
www.mechatronicscontrol.com

• Indonesia

PT. HIMALAYA EVEREST JAYA
Tel: +6 221 544 8956/221 544 8965
Fax: +6 221 619 1925
Fax (Sales): +6 221 619 4658
www.hej.co.id

• Iraq

Scan Medical Tech
Tel: +964 770 470 2202

• Israel

NetivTech LTD
Tel: +972 55-2266-535
Fax: +972 2-9900-560
www.netivtech.com

• Kingdom of Bahrain

Mechatronics Industrial Equipments
Tel: +973 17280059
Fax: +973 17910045
www.mechatronicsbh.com

• Qatar

Mechatronics Industrial Equipments
Tel: +974 44581155
Fax: +974 44689135
www.mechatronicsqatar.com

• Russia

OOO FAM
Tel: +7 812 3319333
Fax: +7 812 3271454
www.fam-drive.ru

• Singapore

Servo Dynamics Pte Ltd
Tel: +65 6844 0288
Fax (Sales): +65 6844 0070

• South Africa

Industrial Specialised Applications CC
Tel: +27 011 466 0346
www.isaza.co.za

• United Arab Emirates

Mechatronics Industrial Equipments LLC
Tel: +971 4 267 4311
Fax: +971 4 267 4312
www.mechatronics.ae

LINAK® accepts no responsibility for possible errors or inaccuracies in catalogues, brochures, and other material. LINAK reserves the right to change its products without prior notice. LINAK cannot guarantee product availability and reserves the right to discontinue the sale of any product. The user is responsible for determining the suitability of LINAK products for a specific application. All sales are subject to the 'Standard Terms of Sale and Delivery', available on LINAK websites.

LINAK and the LINAK logotype are registered trademarks of LINAK A/S. All rights reserved.



WE IMPROVE YOUR LIFE